

GHH-D Stainless Steel 316 Recessed Handle

Features

- Suitable for harsh and high corrosive environment
- Designed to install by pinching the door with body and cup (sheet metal thickness: max. 2 mm)

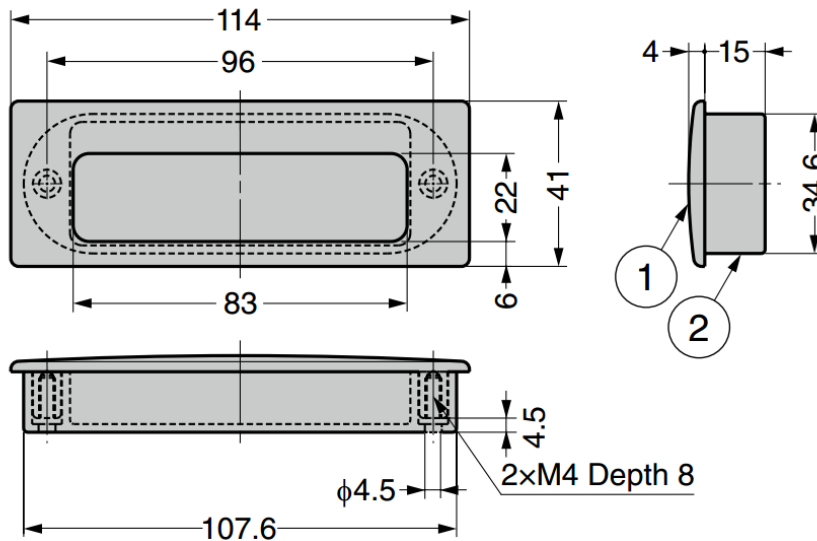
Parts Included

- For sheet metal $t = 2$: truss head tapping screw M4×10 (SUS)
- For wood panel $t = 20$: truss head tapping screw M4×15 (SUS)

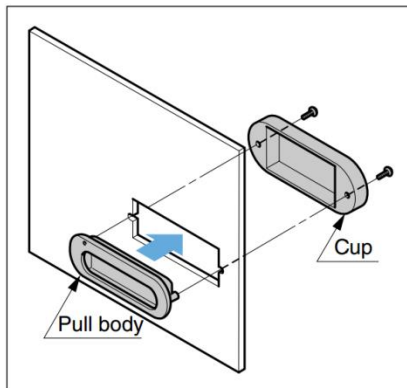


No.	Part Name	Material	Finish / Colour
①	Body	Stainless Steel (SCS14)	Polished
②	Cup	ABS	Black

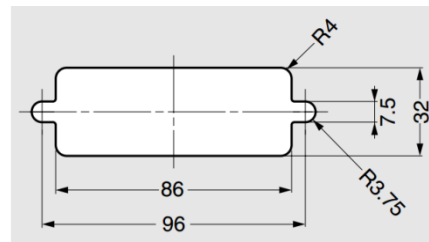
※SCS14 is equivalent of SUS316.



Installation



Cut Out Dimensions



Part No.	Door Thickness
GHH-D	Max. 2